



BEVERLY



Description

We just love this couch! Modern lines with good comfort and support. The Beverly fills so many needs why it's one of our customers favorite modern styles. Chrome legs as shown but wood leg option is available.

Features

Made in Los Angeles, CA

Eco-friendly construction

100% Solid wood frame

Sinusoidal wire suspension.

Cleanable and breathable hypoallergenic fabrics

Reversible and flippable detached cushioning

Zippered, removable cushion covers*.

Seat cushions are 2.0 density foam offering a cozy yet supportive feel /no flame retardants added

Seat back cushions are poly fill

Limited lifetime warranty.

Seat depth 21"

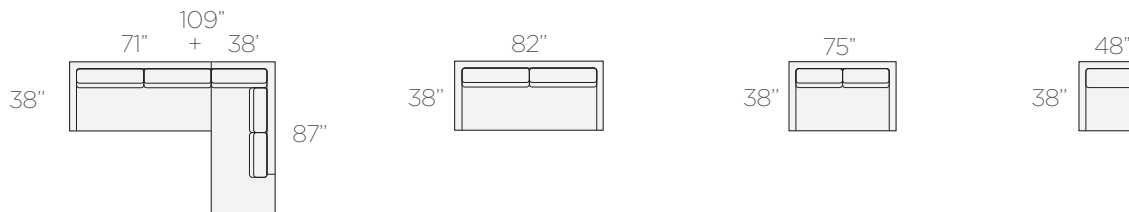
Seat height 18"

Arm height 29"

Frame back 29"

Pillow height 37"

Sample Sizes



See back for more sizes...

BEVERLY CUSTOM

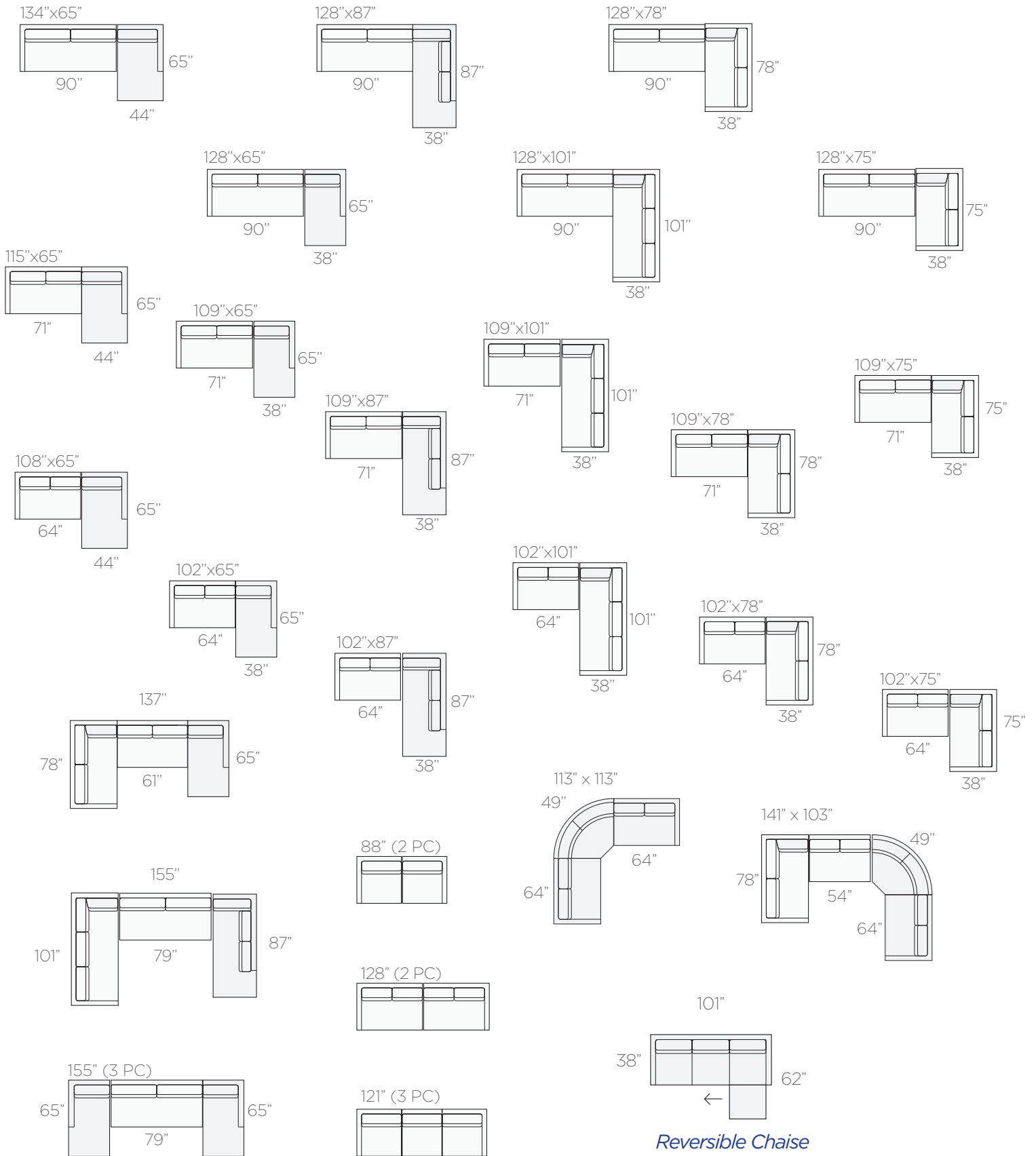
	SOFA	CONDO SOFA	LOVESEAT	CHAIR & 1/2	CHAIR
2 ARM	101" 38"	82" 38"	75" 38"	55" 38"	48" 38"
1 ARM LEFT/RIGHT	90" 38"	71" 38"	64" 38"	44" 38"	37" 38"
ARMLESS	79" 38"	61" 38"	54" 38"	33" 38"	26" 38"
SOFA WITH RETURN LEFT/RIGHT	101" 38"	78" 38"	75" 38"		

CHAISE LEFT/RIGHT	44" 65"	38" 65"	55" 65"	46" 65"	38" 87"	CORNER	49"x 49" 38"	49"x 49" 38"	38" 38"
----------------------	------------	------------	------------	------------	------------	--------	-----------------	-----------------	------------

OTTOMANS	23" x 30"	25" x 35"	35" x 35"	28" x 48"	48" x 48"	<i>Custom Size</i>
----------	-----------	-----------	-----------	-----------	-----------	--------------------

SECTIONALS	102" 38" 64" 38" 65"	109" 38" 71" 38" 87"	139" 49" 113" 38" 90" 64" \$4605
------------	----------------------------------	----------------------------------	--

BEVERLY Sectionals

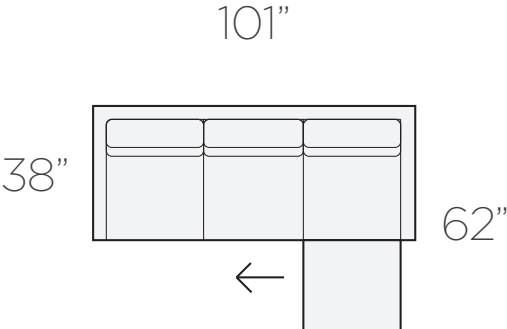
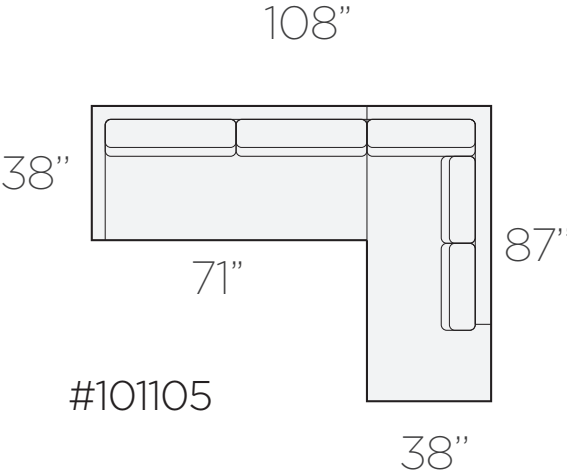


BEVERLY SPECIAL

SPECIALS:

Sale prices are offered in the below dimensions and 2 PC arrangements (choice of left or right orientation)
These are only available in a select range of fifty, great looking and durable fabrics.
Changes to these templates, will increase the price, starting at the CUSTOM base price.

SECTIONALS



2 ARM

